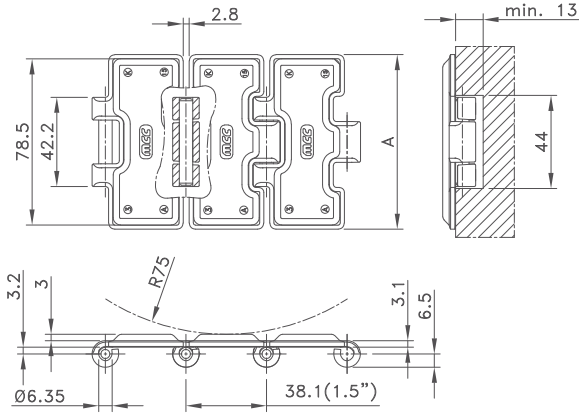
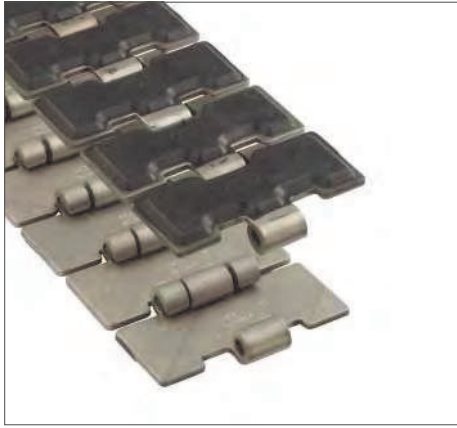


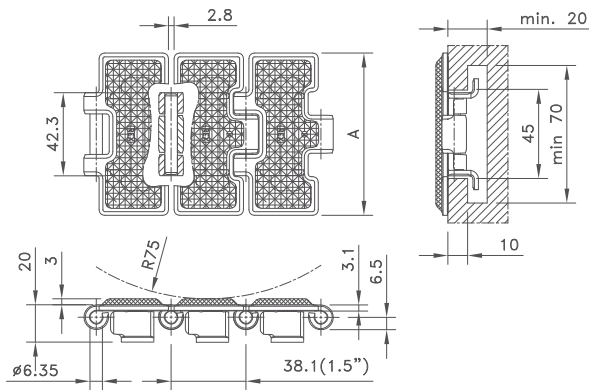
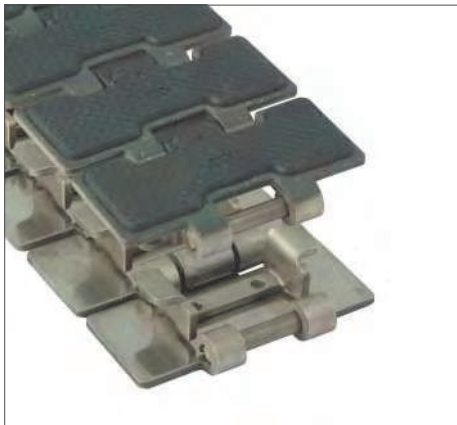
Straight Run Single Hinge RubberTop®



Chain Type	Code Number	Plate Width A		Weight kg/m	Polished Hinge Eyes	Working Load (max.) N
		mm	inch			
66-Series						
66 S 31 R	762.04.31	82.5	3.25	2.80	no	6000

Standard length: 3.048 m - 10 feet (80 links)

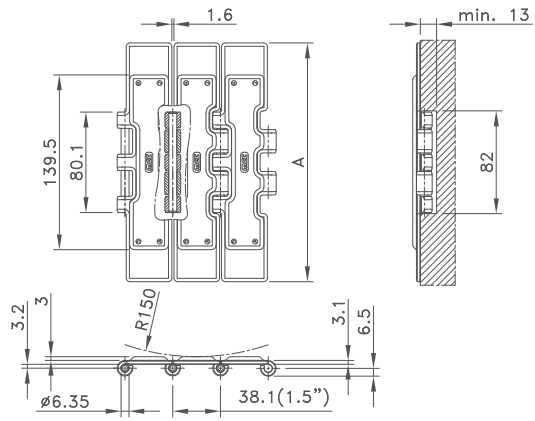
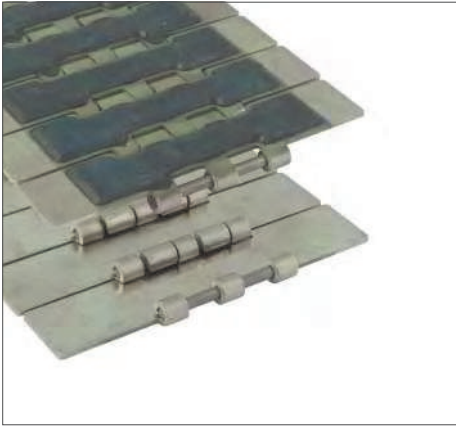
Straight Run Single Hinge Tab RubberTop®



Chain Type	Code Number	Plate Width A		Weight kg/m	Polished Hinge Eyes	Working Load (max.) N
		mm	inch			
Opti-Plus						
SSR 812 TAB-K325 RT	10.105.21.11	82.5	3.25	3.40	no	6000

Standard length: 3.048 m - 10 feet (80 links)

Straight Run Double Hinge Max-Line RubberTop®

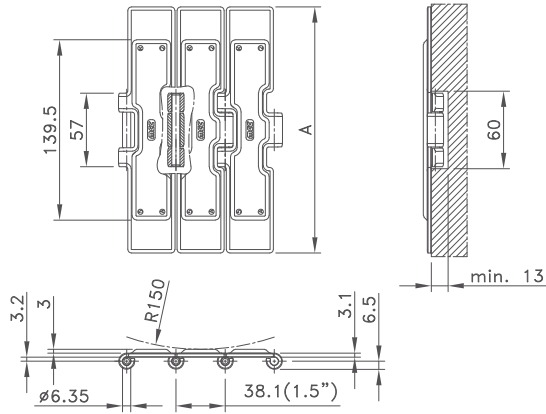
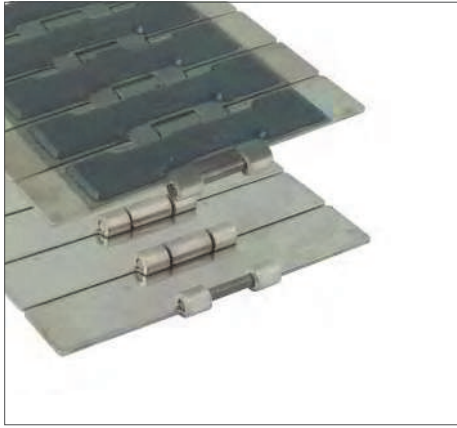


Chain Type	Code Number	Plate Width		Weight	Polished Hinge Eyes	Working Load (max.)
		A				
		mm	inch	kg/m	N	
66-Series						
66 S 77 RM	762.06.72	190.5	7.50	6.20	no	8900

Standard length: 3.048 m - 10 feet (80 links)



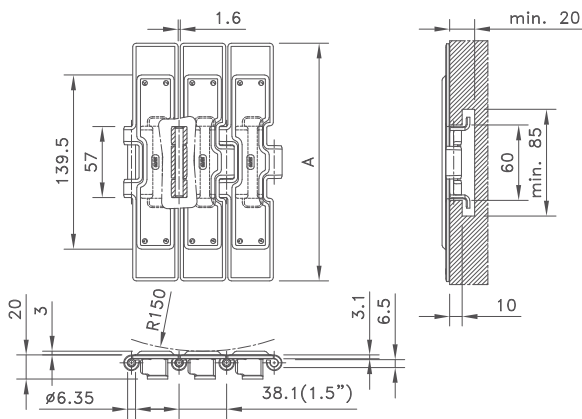
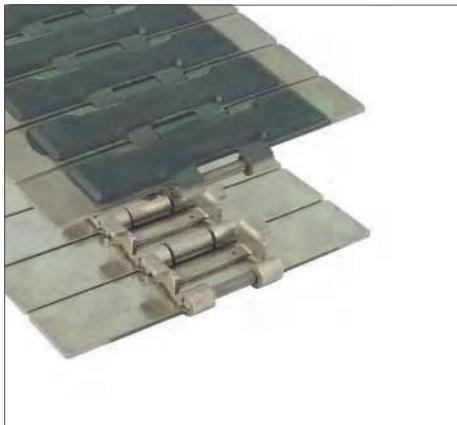
Straight Run Heavy Duty Max-Line RubberTop®



Chain Type	Code Number	Plate Width A		Weight kg/m	Polished Hinge Eyes	Working Load (max.) N
		mm	inch			
66-Series						
66 S 75 RM	752.64.75	190.5	7.50	5.21	no	7000

Standard length: 3.048 m - 10 feet (80 links)

Straight Run Heavy Duty Tab Max-Line RubberTop®



Chain Type	Code Number	Plate Width A		Weight kg/m	Polished Hinge Eyes	Working Load (max.) N
		mm	inch			
66-Series						
66 ST 75 RM	763.04.75	190.5	7.50	6.21	no	7000

Standard length: 3.048 m - 10 feet (80 links)